

12A-529R090 (2007)  
General Assembly

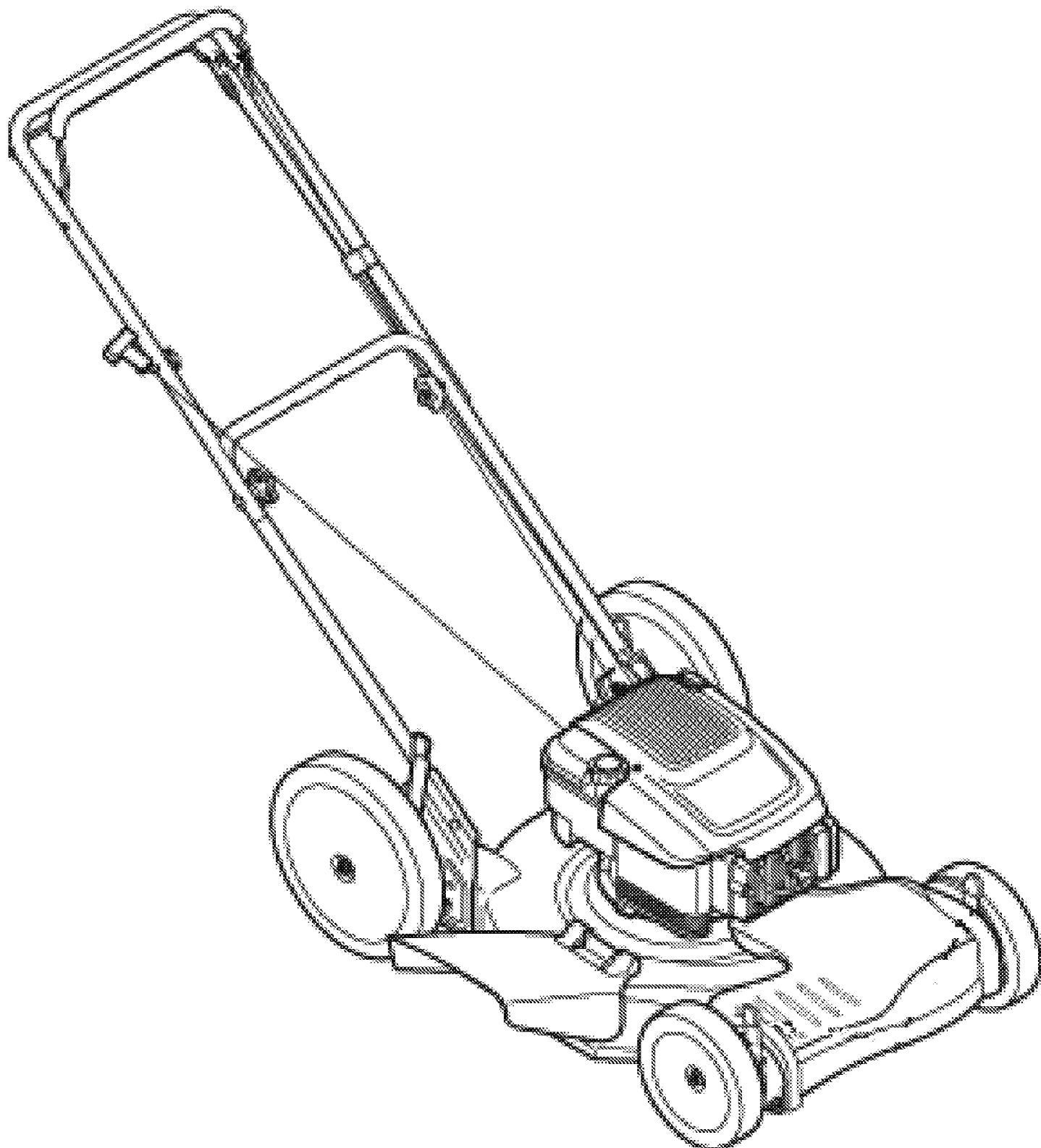
Page 2 of 5

Ref #	Part Number	Qty	S/P/F	Description
1	747-1214	1		Drive Control
2	747-1161A	1	S	Blade Control
3	746-1132	1	S	Blade Control Cable - 40.75"
3	746-04389	1	S	Blade Control Cable - 42.0"
4	746-04204	1	S	Drive Control Cable
5	749-1092A	1	/P	Upper Handle
6	710-1205	1	/P	Eye Bolt
7	720-0279	1	/P	Wing Nut, 1/4-20
8	987-02140A	1	/P	Front Lever Assembly - Use for RH in this application
8	987-02141A	1	/P	Front Lever Assembly - Use for LH in this application
9	736-0182	1	/P	Sprg Washer, .500 x 1.00 x .022 If Equipped
10	710-1174	1	/P	Carriage Bolt 5/16-18 x 2.0
11	731-04859	1		Bail Cover - Gray If Equipped
11	731-2626	1		Bail Cover - Black If Equipped
12	720-04072	1	S	Wing Nut
13	749-04037	1	/P	Lower Handle
14	725-0157	1	/P	Cable Tie
15	17098	1	S	Hinge Clip
16	731-2537	1	/P	Trail Shield
17	710-0599	1	/P	Hex Screw, 1/4-20 x.500
18	682-3062A	1	S	Handle Bracket Assy - RH
19	687-02052	1		Rear Hgt. Adj. Lever Assembly
20	712-04065	1	/P	Lock Nut 3/8-16
21	682-3063A	1	S	Handle Bracket Assembly- LH
22	687-02046	1		22" Deck Assembly
23	710-0654A	1	/P	Hex Washer Scr., 3/8-16 x 1.0
24	754-04100	1	S	V-Belt, 3L x 32.90
25	782-0585A	1	S	Forward Height Adj. Plate - LH
26	728-0199	1		Rivet
27	750-04407	1		Sleeve Spacer, .550 ID x 2.22
28	716-0198	1		Retainer Ring
29	618-04375A	1	S	Transmission Assembly Comp.
30	750-04406A	1		Sleeve Spacer, .550 ID x 7.42
31	731-04014	1	S	Transmission Cover - Gray
31	731-0073	1		Transmission Cover - Black
32	748-04016A	1	/P	Blade Adapter
33	742-0742A	1	S	22" Mulching Blade
34	736-0452	1	S	Washer, Bell, .396 x 1.140 x .095
35	710-1044	1	/P	Hex Cap Screw 3/8-24 x 1.5
36	782-0584	1	S	Forward Hgt. Adj. Plate - RH
37	731-0981A	1	S	Hub Cap If Equipped
38	710-0216	1	/P	Hex Cap Screw 3/8-16 x.75
39	720-0426	1	/P	Adjustment Knob
40	748-0390	1		Bearing Support Spacer
41	731-04643	1	/P	Wheel Dust Cover
42	715-0221	1	S	Pin
43	717-1762	1		Spur Gear 14T - RH
43	717-1761	1		Spur Gear 14T - LH
44	732-04049	1		Ext. Spring.47 OD x 2.50
45	734-2042	1		Ext. Spring.47 OD x 2.125, Zag

12A-529R090 (2007)  
General Assembly

Page 3 of 5

Ref #	Part Number	Qty	S/P/F	Description
46	747-0710	1	S	Hinge Pin
47	732-1014	1		Torsion Spring
48	731-1034B	1	S	Side Discharge Assembly
49	736-0270	1	/P	Bell Washer.265 ID x.75 OD
50	17032A	1	/P	Deflector Chute Adapter
51	631-04045	1	/P	Mulching Baffle
52	741-0717	1		Thrust Brg.688 ID x 1.938 OD
53	732-0984B	1	/P	Spring Lever
54	687-02080	1		Rear Pivot Arm Assy - RH
54	687-02079	1		Rear Pivot Arm Assembly - LH
55	738-1127	1		Shoulder Screw 3/8-16
56	716-0865	1	/P	Snap Ring.500
57	734-04093	1		Rear Wheel, 12 x 2.125, Zag



12A-529R090 (2007)  
Quick Reference 529R

Page 5 of 5

Ref #	Part Number	Qty	S/P/F	Description
	759-3338	1	/P	Spark Plug 802592S
	BS-493537S	1	/P	Pre Filter
	BS-491588S	1	/P	Air Filter
	BS-298090S	1	/P	Fuel Filter
	746-1132	1	S	Cable Control (Brake)
	746-04204	1	S	Drive Cable
	754-04100	1	S	Drive Belt
	742-0742A	1	S	Blade
	710-1044	1	/P	Blade Bolt
	748-04016A	1	/P	Blade Adapter
	736-0452	1	S	Bell Blade Support
	634-0190	1		Wheels (Front)
	734-04082	1	/P	Wheels (Rear)
	731-0981A	1	S	Hub Cap
	731-2537	1	/P	Trail Shield
	731-1034B	1	S	Side Discharge Chute
	N/A	1		Grass Bag
	190-110-190	1		Side Discharge Grass Collector (2007) (Attachment)
	631-04045	1	/P	Mulch Plug (Attachment)